



Wall valve 1/2" -

35 607 970



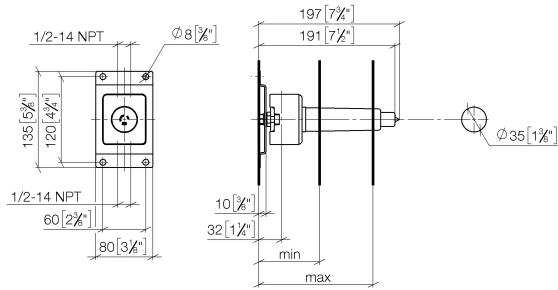
- red brass, lead-free
- female thread 1/2" connection
- 1x female thread 1/2" outlet
- dust cover
- anti-water packing
- soundproofing
- suitable for xGRID (when using installation track + 12 mm recess depth)



Wall valve 1/2" -

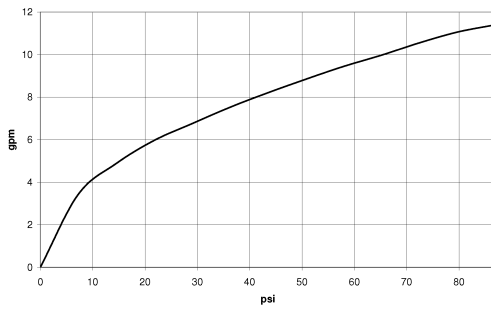
35 607 970

mm [inches]



Serie	min	max
Madison	75 [3"]	145 [5 3/4"]
Madison Flair	75 [3"]	145 [5 3/4"]
Lulu	75 [3"]	145 [5 3/4"]
Vaia	75 [3"]	145 [5 3/4"]
Symetrics	75 [3"]	145 [5 3/4"]
Tara	85 [3 3/8"]	145 [5 3/4"]
Deque	85 [3 3/8"]	145 [5 3/4"]
CL1	105 [4 1/8"]	150 [5 7/8"]
Mem	105 [4 1/8"]	150 [5 7/8"]

Flow rate chart



Codes & Standards

ASME
A112.18.1/CSA
B125.1



Wall valve 1/2" -

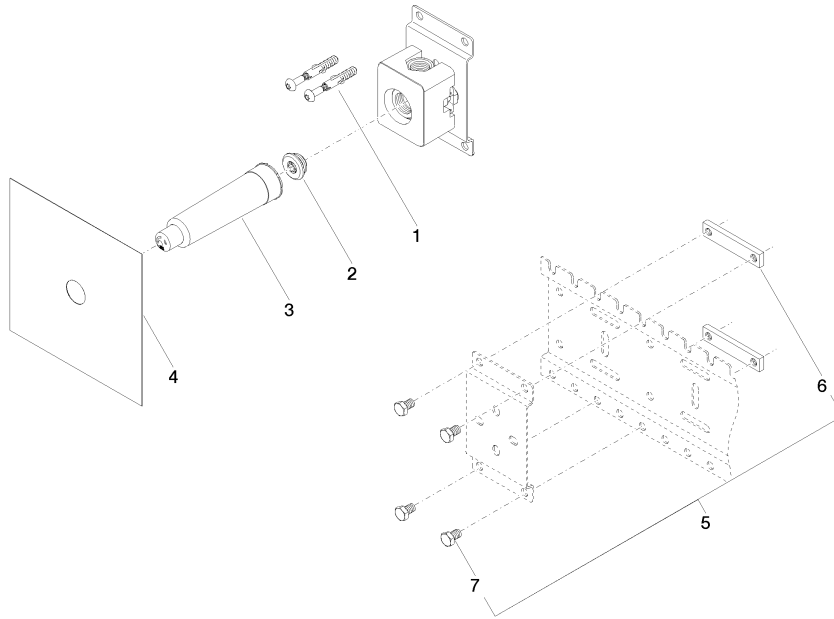
35 607 970

Certificates

IAPMO_4976 (6).

Wall valve 1/2" -

35 607 970



Spare parts list

No.	Item Number	Name	Quantity used	Delivery time
1	04 30 31 024 01 90	fixing set	2	2
2	04 31 20 006 00 90	plug	1	2
3	09 21 02 173 90	cap	1	2
4	04 14 03 072 01 90	gasket kit	1	2
5	04 17 20 100 00 90	fixing set	1	2
6	09 17 20 100 90	holder	2	2
7	09 30 30 152 90	screw	4	2